



4939 West 140th Street
Apple Valley, MN 55124
Ph: 612.685.2208
Fax: 952.322.4717

Manufacturers of
quality vanity tops,
tub/shower sur-
rounds, bathtubs,
shower bases,
thresholds, window
sills, and many spe-

Manufacturer's Pricing and Speci- fication Manual





4939 West 140th Street

Apple Valley, MN 55124

Ph: 612.685.2208

Fax: 952.322.4717

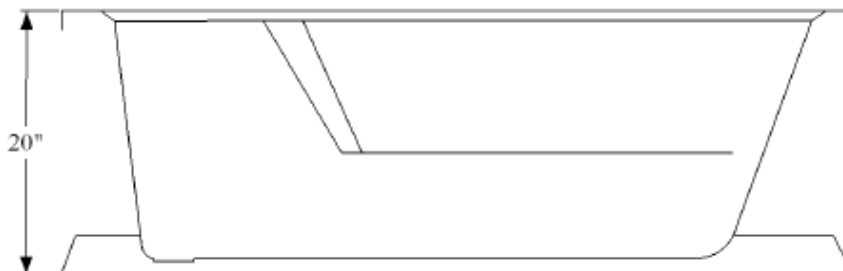
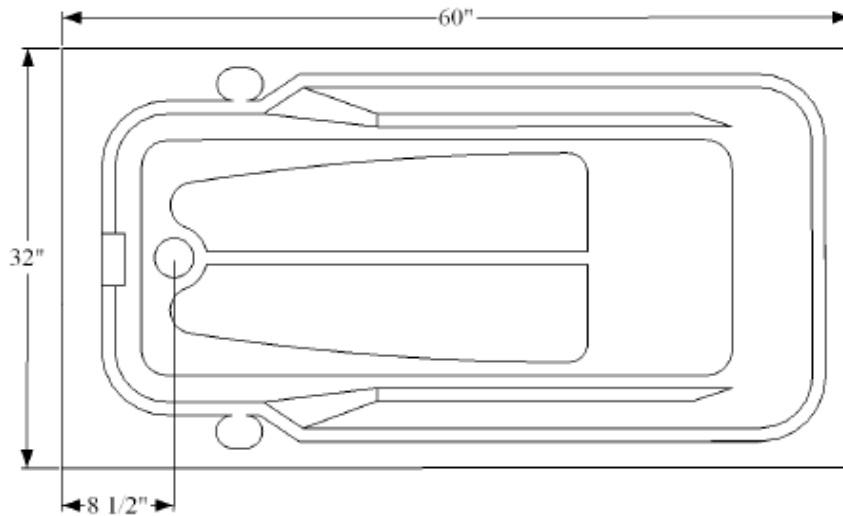
TABLE OF CONTENTS

1. COVER
2. TABLE OF CONTENTS
3. BALTIC (60 x 30 x 19)
4. ARCTIC (60 x 32 x 19)
5. ATLANTIC (60 x 36 x 20)
6. PACIFIC (72 x 42 x 20)
7. MEDITERRANEAN (60 x 60 x 27 x 20)
8. CARIBBEAN (60 x 30 x 38)
9. MAINTENANCE DATA
10. WARRANTY



4939 West 140th Street
Apple Valley, MN 55124
Ph: 612.685.2208
Fax: 952.322.4717

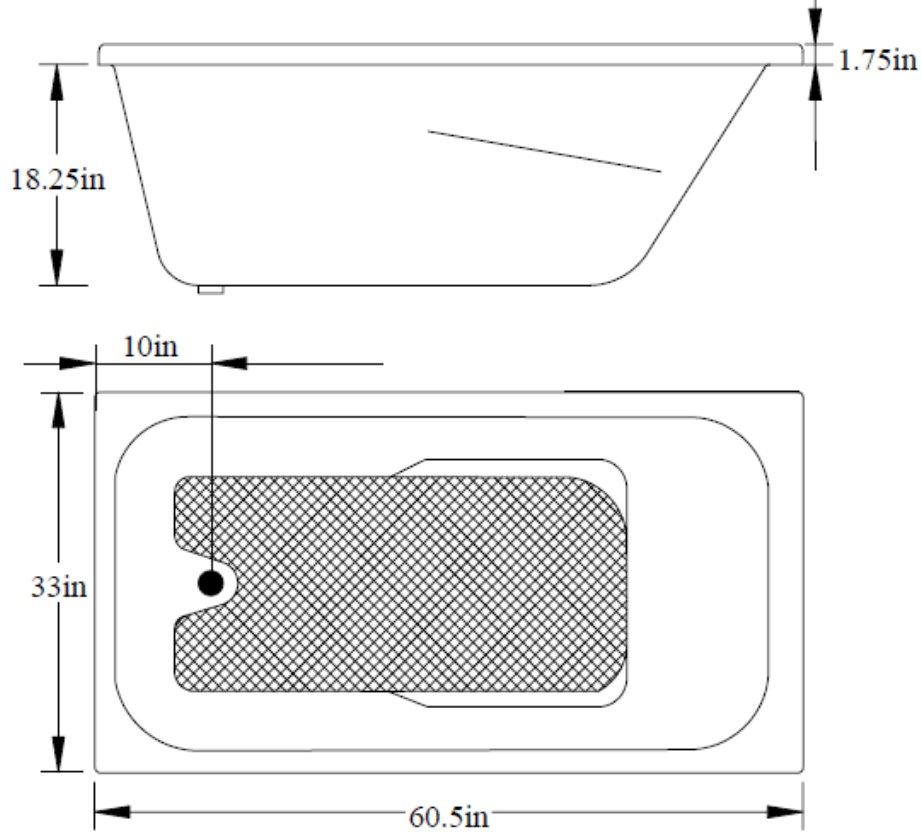
BALTIC 60 x 30 x 19





4939 West 140th Street
Apple Valley, MN 55124
Ph: 612.685.2208
Fax: 952.322.4717

ARCTIC 60 x 32 x 19





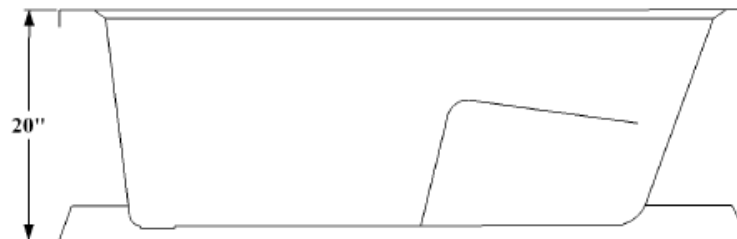
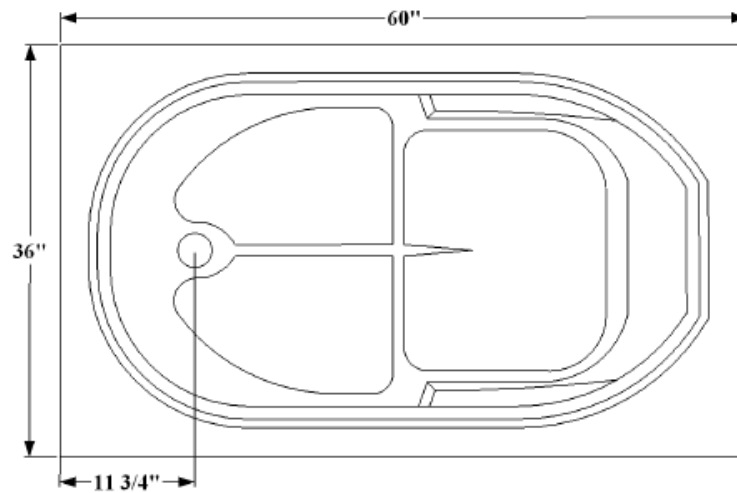
4939 West 140th Street

Apple Valley, MN 55124

Ph: 612.685.2208

Fax: 952.322.4717

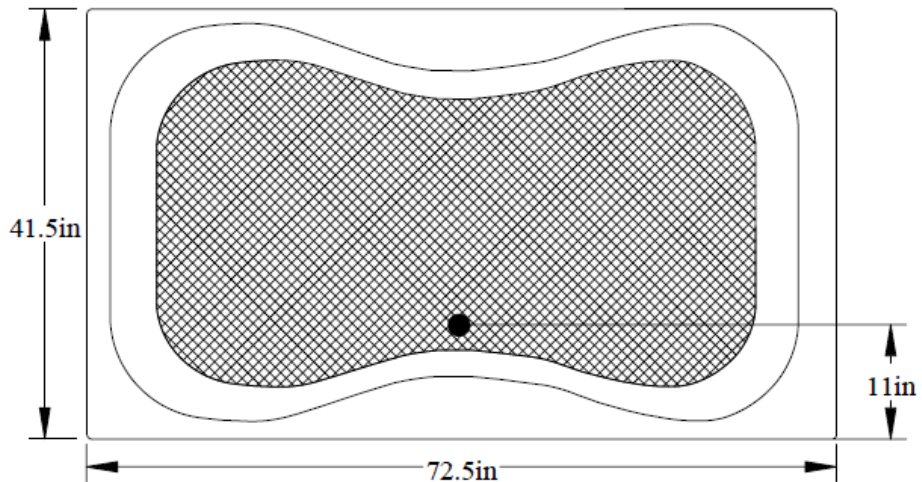
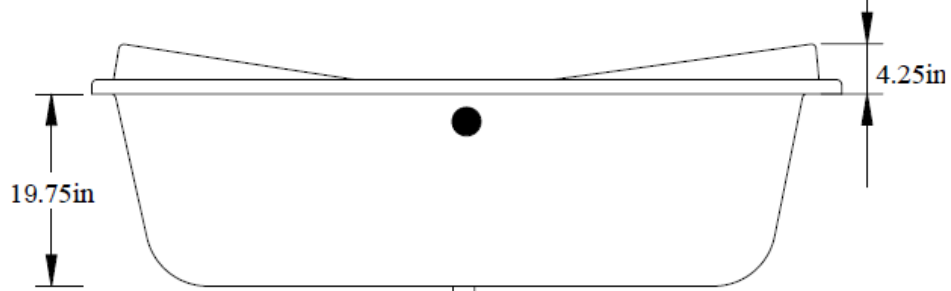
ATLANTIC 60 x 36 x 20



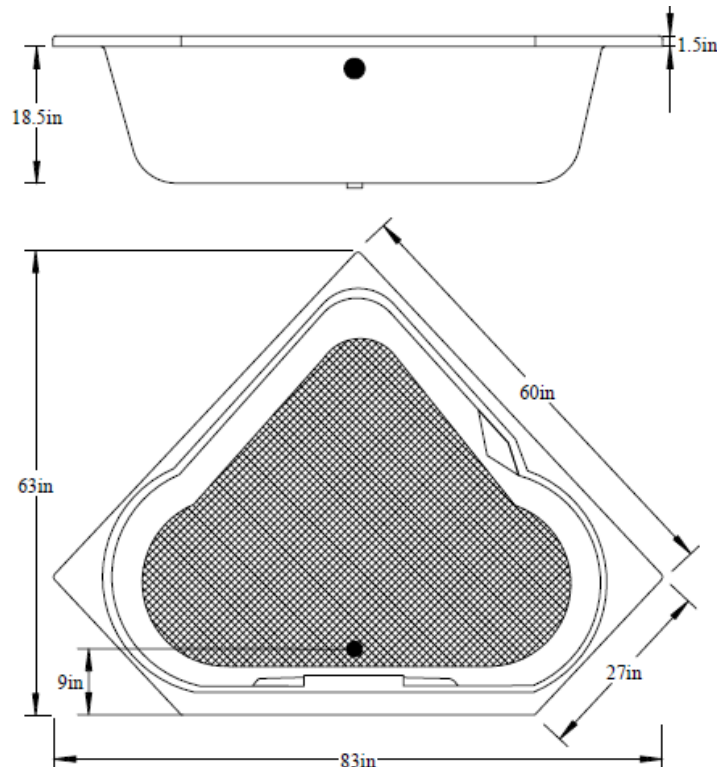


4939 West 140th Street
Apple Valley, MN 55124
Ph: 612.685.2208
Fax: 952.322.4717

PACIFIC 72 x 42 x 20



MEDITERRANEAN 60 x 60 x 27 x 20





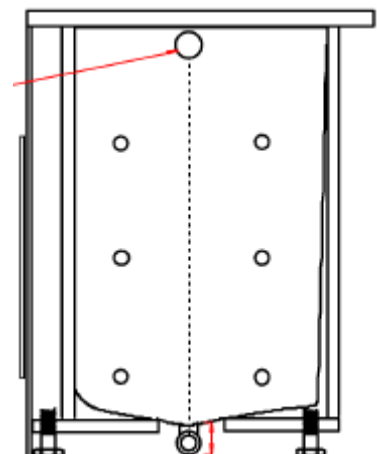
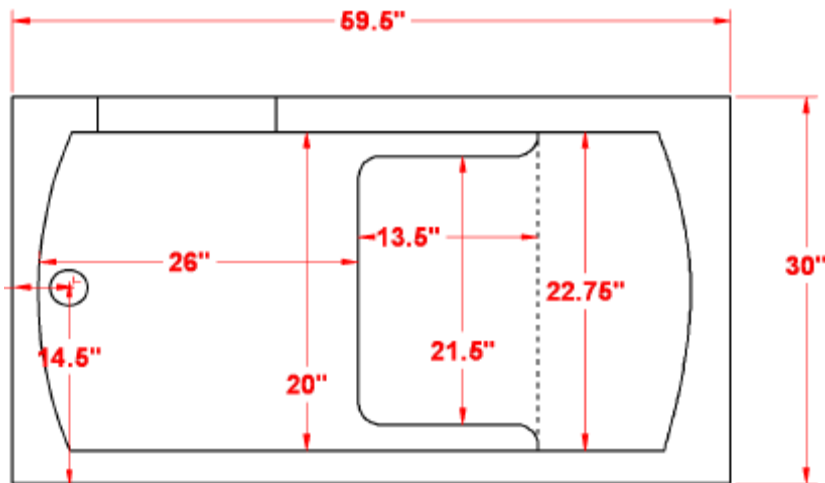
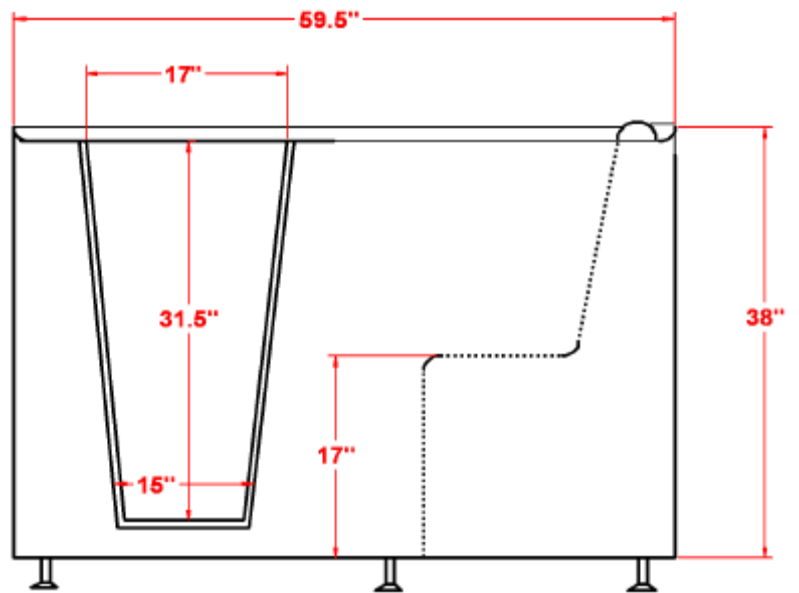
4939 West 140th Street

Apple Valley, MN 55124

Ph: 612.685.2208

Fax: 952.322.4717

CARIBBEAN 60x30x38





4939 West 140th Street

Apple Valley, MN 55124

Ph: 612.685.2208

Fax: 952.322.4717

MAINTENANCE & CARE

Any non-abrasive liquid cleaner off the shelf may be used. Be sure to read the label and follow the cleanser's recommendations. Do not use harsh abrasives like Comet, Ajax, Bon Ami, etc. as they will harm and dull the finish of your unit.

While you can use bubble bath in whirlpool bathtub systems, we would advise that you use very little. You will end up with a mess on your hands and bubbles overflowing out of the tub. Bath oils are fine for NuCore air tubs, but we do not recommend the use of bath oils in NuCore whirlpool systems unless you follow a stringent cleaning regimen.

Adhesive residue can be removed with 3-M Natural Cleaner, Disolvitor, WD40, nail polish remover, mineral spirits, lemon oil or PineSol. The cleaning product should be poured onto a clean cloth rag and wiped on the unit to remove the adhesive. Do not use paint remover, this will damage the surface.

For stubborn floor stains, a paste should be made of a cleanser such as Comet, Spic-N-Span, etc., and spread out onto the floor. Allow the paste to sit for 5-10 minutes and then gently scrub with a soft-bristled brush. The brush should be the texture of a toothbrush and vigorous scrubbing is not recommended as it could damage the finish on your



4939 West 140th Street

Apple Valley, MN 55124

Ph: 612.685.2208

Fax: 952.322.4717

WARRANTY

NuCore Products Inc. warrants to the original purchaser only that its Bath Units are free from defects in material or workmanship for a period of one (1) year from the date of purchase. If a Bath fails during this period because of defective workmanship the manufacturer, at its discretion, will either authorize repair or replacement of the unit or part if found to be defective. Before a repair is performed, authorization of repair must be approved by the NuCore Products Inc. or a representative. The exchange of a unit is limited to supplying a replacement unit of comparable size and style and does not include any cost of removal or installation, nor is the manufacturer responsible for any damage caused by the defective bath. All units must be water tested before installation to validate warranty. All electrical whirlpool components, including but not limited to motors, blowers, and heaters are only covered under this warranty for labor, and are subject to the warranty offered by the individual manufacturer. Except as expressed herein, there shall be no other warranty or obligation, expressed or implied, oral or statutory. NuCore Products Inc., its agents, or employees shall in no event be liable for injury to any person or for any claim for damage, however arising. All consequential expenses including loss of use, damage, or contingent liabilities arising out of any alleged deficiencies of the bath are specifically excluded. Some states do not allow exclusion or limitation of incidental or consequential damages. This warranty gives you specific legal rights. You may also have other rights that vary from state to state.